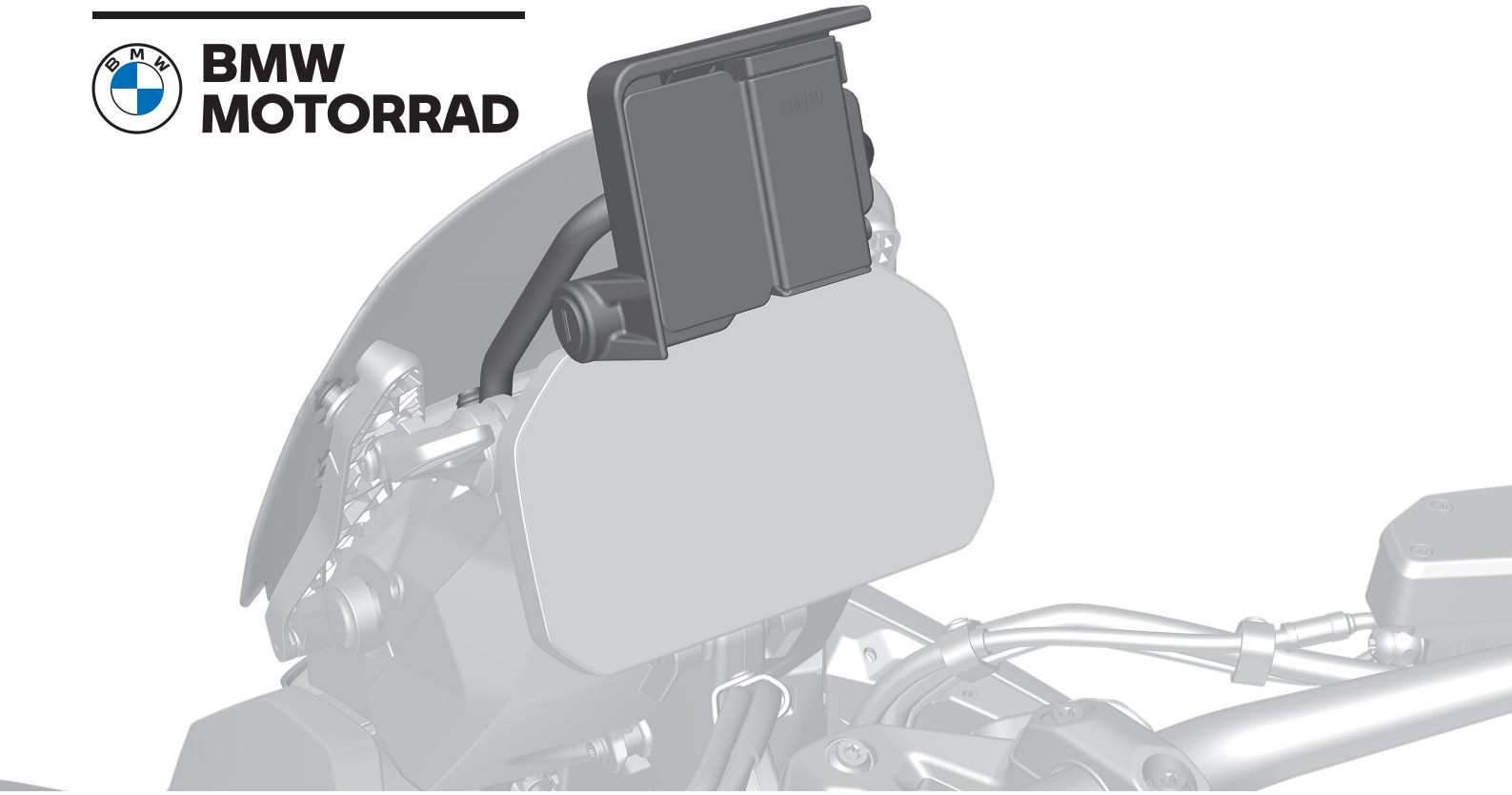




**BMW
MOTORRAD**



Installation instructions

NAVIGATION PREPARATION

MAKE LIFE A RIDE

BEFORE COMMENCING WORK, YOU MUST READ THESE INSTALLATION INSTRUCTIONS THROUGH CAREFULLY AND MAKE SURE YOU UNDERSTAND THEM FULLY.

We congratulate you on your choice of optional accessories from BMW Motorrad that will enable you to customise your motorcycle in accordance with your personal preferences.

Safety is invariably an essential prerequisite for extracting full benefit and enjoyment from new accessories. Some work calls for special tools and possibly a thorough knowledge of motorcycle technology. If you are in doubt consult a specialist workshop, preferably your authorised BMW Motorrad dealer.

Since we provide you with a multitude of accessories and optional equipment, we cannot cover all equipment specifications in these installation instructions. Therefore we restrict ourselves to the basic version of the corresponding model. The removal and installation of other possibly installed accessories is described in the corresponding installation instructions. Consult your authorised BMW Motorrad dealer if you no longer have access to the sets of instructions you need.

If you have questions concerning your motorcycle or any of the accessories from our range, your authorised BMW Motorrad dealer will gladly provide advice and assistance.

We at BMW Motorrad hope you will enjoy riding your BMW and that all your journeys will be pleasant and safe.

THE SYMBOLS USED TO DRAW ATTENTION TO PRECAUTIONARY STATEMENTS IN THIS MANUAL ARE AS FOLLOWS:
 **CAUTION**

Low-risk hazard. Non-avoidance can lead to slight or moderate injury.

 **DANGER**

High-risk hazard. Non-avoidance leads to fatal or severe injury.

 **NOTICE**

Specific instructions on how to operate, control, adjust or look after items of equipment on the motorcycle.

- ▶ Start of the main activity
- ▷ Start of the secondary activity
- Instruction

 **WARNING**

Medium-risk hazard. Non-avoidance can lead to fatal or severe injury.

 **ATTENTION**

Special notes and precautionary measures. Non-compliance can lead to damage to the vehicle or accessory and, consequently, to voiding of the warranty.

 **Tightening torque**

Screws, bolts and nuts are tightened in accordance with the applicable DIN/ISO standards. Tightening torques that deviate from the standards are stated. Non-compliance can result in damage to the vehicle or accessories or can endanger the driver.

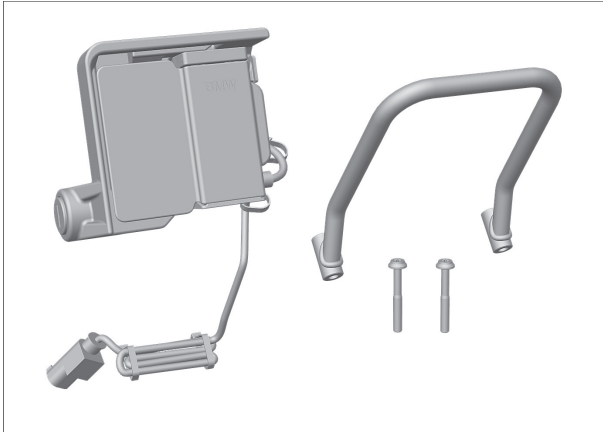
- ◀ End of the main activity
- ◁ End of the secondary activity
- ◇ End of validity designation CS (construction status), OE (optional extra) or OA (optional accessory)

All rights reserved.

Navigation preparation

Requisite tools

- Torx wrench set
- Torque wrench



Scope of installation

- Retaining bracket
 - Torx screws M6×45
 - Navigation holder kit
- 2×

General instructions

⚠ CAUTION

Hot engine and/or hot exhaust system

Risk of burn injury

- Allow engine and exhaust system to cool before starting work.

⚠ ATTENTION

Vehicle not securely propped

Risk of damage to parts if vehicle topples

- Prop the vehicle securely.

⚠ WARNING

Children and pets in the working area

Injury to persons

- Keep children and pets away from the working area.

⚠ CAUTION

Wearing jewellery during work

Risk of injury by snagging or electrical short circuit

- Remove all items of personal jewellery (rings, chains, wristwatch, etc.) before starting work.

⚠ NOTICE

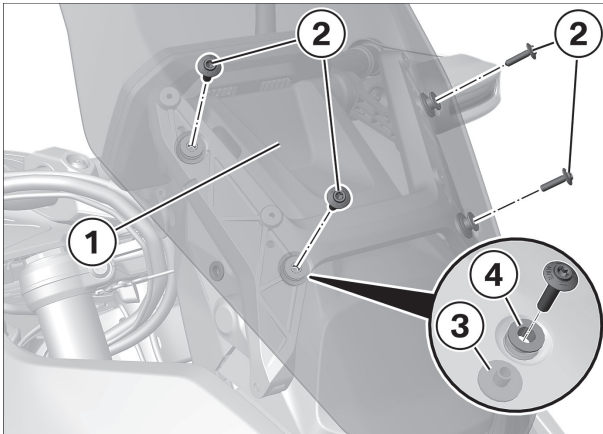
Once the retrofit kit has been installed by the workshop, these installation instructions must be handed over to the customer.

Make sure that these installation instructions accompany the retrofit kit when it is passed on to a third party.

77 52 008 Installing the navigation system preparation

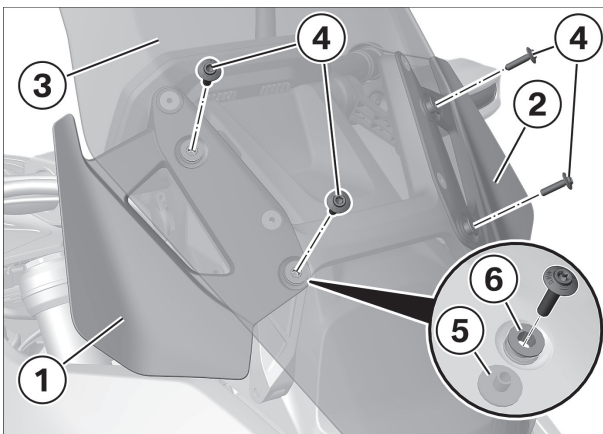
Additional work: 46 52 510 Mounting and dismounting the rear-wheel stand with special tools (for motorbikes without a centre stand)

1



► Removing windscreen

- Remove screws (1) and remove windscreen (2).
- Note bushes (3) and grommets (4).



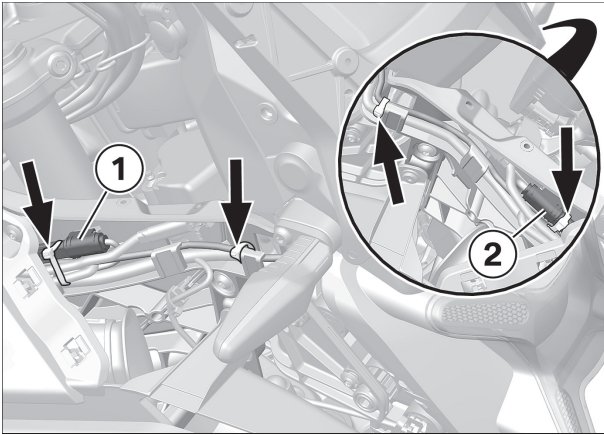
- with windscreen, electrically adjustable^{OE} (0559)
- Remove screws (4) and remove windscreen (3).
- Note bushes (5) and grommets (6).
- Remove wind deflectors (1) and (2).◇

2

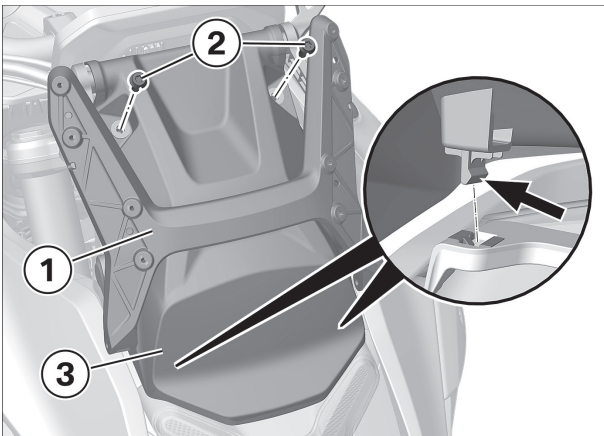
► Removing cover for windscreen adjuster

Requirement

Windscreen adjuster is raised.

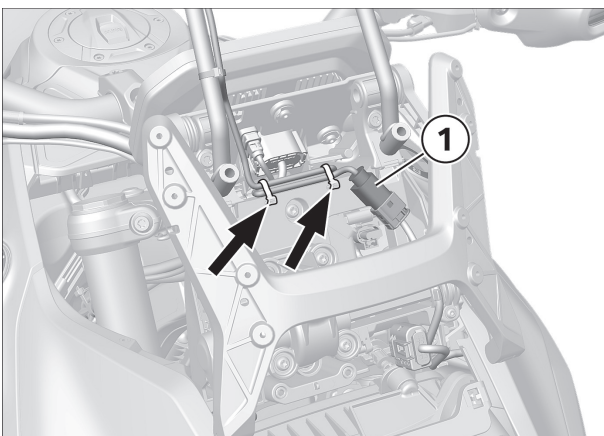


- with enduro package Pro^{OE} ()
- Remove cable straps (**arrows**).
- Disconnect connectors **(1)** and **(2)** for turn indicator.
- Loosen cable from retaining tabs.◇



- with windscreen, electrically adjustable^{OE} (0559)
- If necessary, switch on ignition during removal and raise windscreen.◇
- If necessary, put windscreen adjustment mechanism **(1)** up.
- Remove screws **(2)**.
- Loosen cover **(3)** at bottom (**arrows**) and remove.

3



► Connecting connector for navigation system

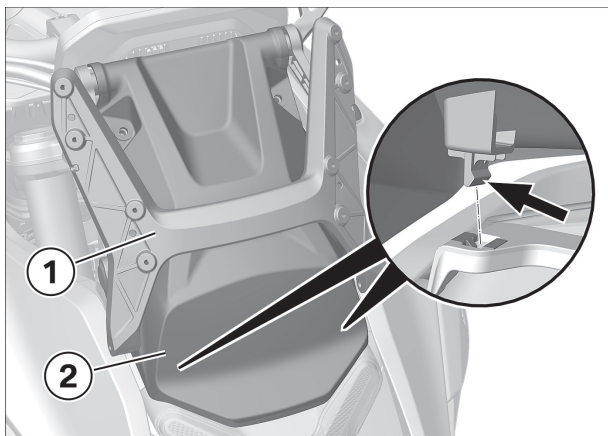
- Connect connector **(1)**.
- Install cable strap (**arrows**).

4

► Install the cover for windscreen adjuster

Requirement

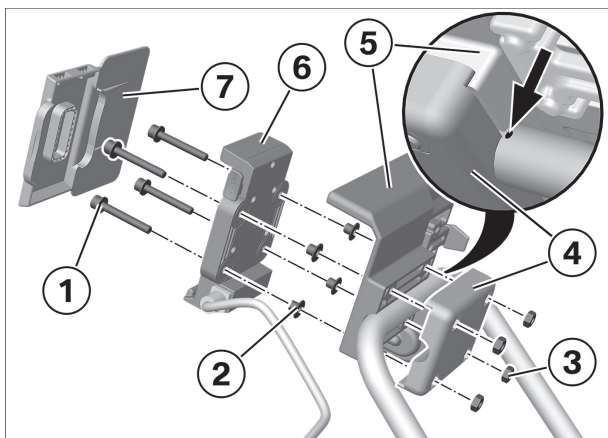
Windscreen adjuster is raised.




- If necessary, put windscreen adjustment mechanism (1) up.
- Position cover (2) and secure at bottom (arrows).

5

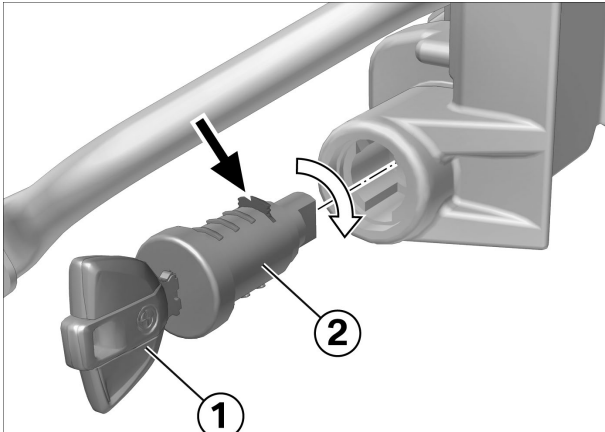
► Installing preparation for navigation system




- Remove screws (1) with bushes (2), noting nuts (3).
– Secure nuts on lower section with adhesive tape.
- Loosen lower section (4) and base plate (5) from retaining bracket.
- Insert bushes (2) in Mount Cradle (6).
- Secure Mount Cradle (6), base plate (5) and lower section (4) with screws (1).
- Align base plate (5) on punch mark (arrow) and tighten screws (1).

 Tightening torques		
Base plate for navigation system to holder		
M4 x 30	2 Nm	– with preparation for navigation system ^{OE} (0272)

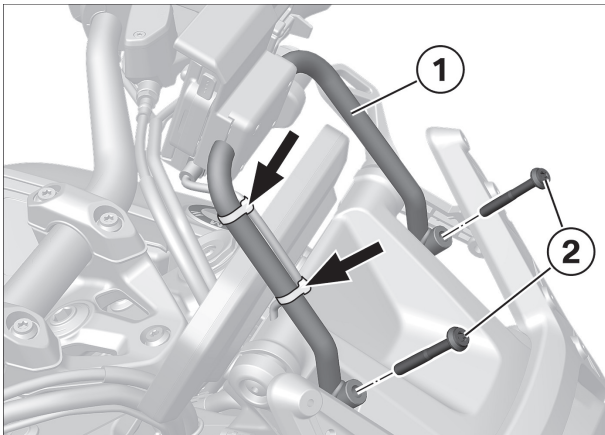
- Install cover (7).




- Insert key **(1)** in lock barrel **(2)**.
- Lubricate lock barrel **(2)**.

 Lubricant	
MI-Setral-43 N	83 23 2 152 082

- Insert lock barrel **(2)** with key **(1)** and turn until locking pawl **(arrow)** locks.

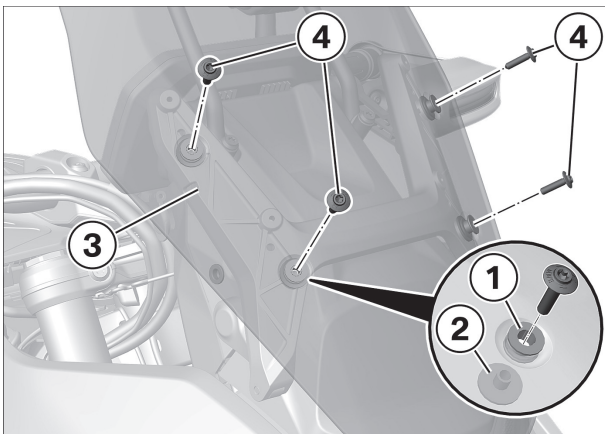


- Loosen Mount Cradle from windscreen adjustment mechanism.
- Secure retaining bracket **(1)** with screws **(2)**.

 Tightening torques		
Holder for navigation system to windscreen adjustment mechanism		
M6 x 45	5 Nm	– with preparation for navigation system ^{OE} (0272)


- Secure the cable with cable ties **(arrows)**.

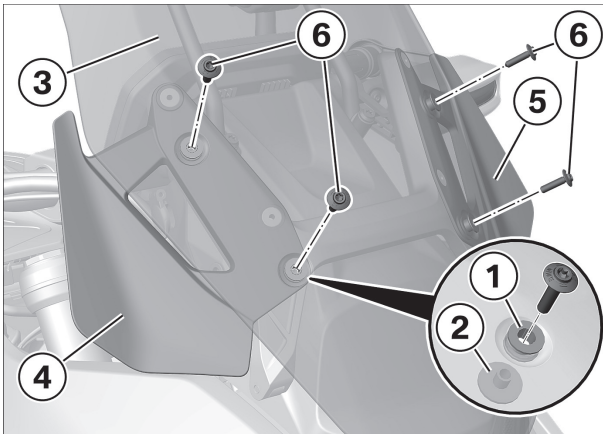
6



► Install the windscreen

- Ensure correct installation of grommets **(1)** and bushes **(2)**.
- Secure windscreen **(3)** with screws **(4)**.

 Tightening torques		
Windscreen to holder		
M5 x 20	2 Nm	



- with windscreen, electrically adjustable^{OE} (0559)
- Ensure correct installation of grommets **(1)** and bushes **(2)**.
- Position wind deflector **(4)** and **(5)** with windscreen **(3)**.
- Install screws **(6)**.

Tightening torques		
Windscreen to holder		
M5 x 20	2 Nm	

7

► Final check of work performed

- Check the following:
 - The work as performed achieved the intended purpose.
 - All reservoirs and containers have been filled and all fluids and lubricants are at their correct levels.
 - All threaded fasteners released beforehand have been correctly retightened.
 - The fuel system is free of leaks.
 - The lights and signalling equipment are fully operational and the vehicle is roadworthy.
 - The brake pads of the front and rear brakes are bedded against the brake discs.

▷ Function test, engine start suppression

Check

- Set kill switch to centred position.
- Select neutral.
- Switch on the ignition.
 - » Neutral indicator light "N" lights up.
- Select a gear.
 - » Neutral indicator light "N" goes out.
- Press the starter button.
 - » Starter does **not** operate.
- Extend the side stand.
- Pull the clutch lever.
- Press the starter button.
 - » Starter does **not** operate.
- Retract the side stand.
- Press the starter button without releasing the clutch lever.
 - » Starter operates.

Result

Not all test steps completed successfully.

Measure

- Check the appropriate parts with the BMW Motorrad diagnostic system.

