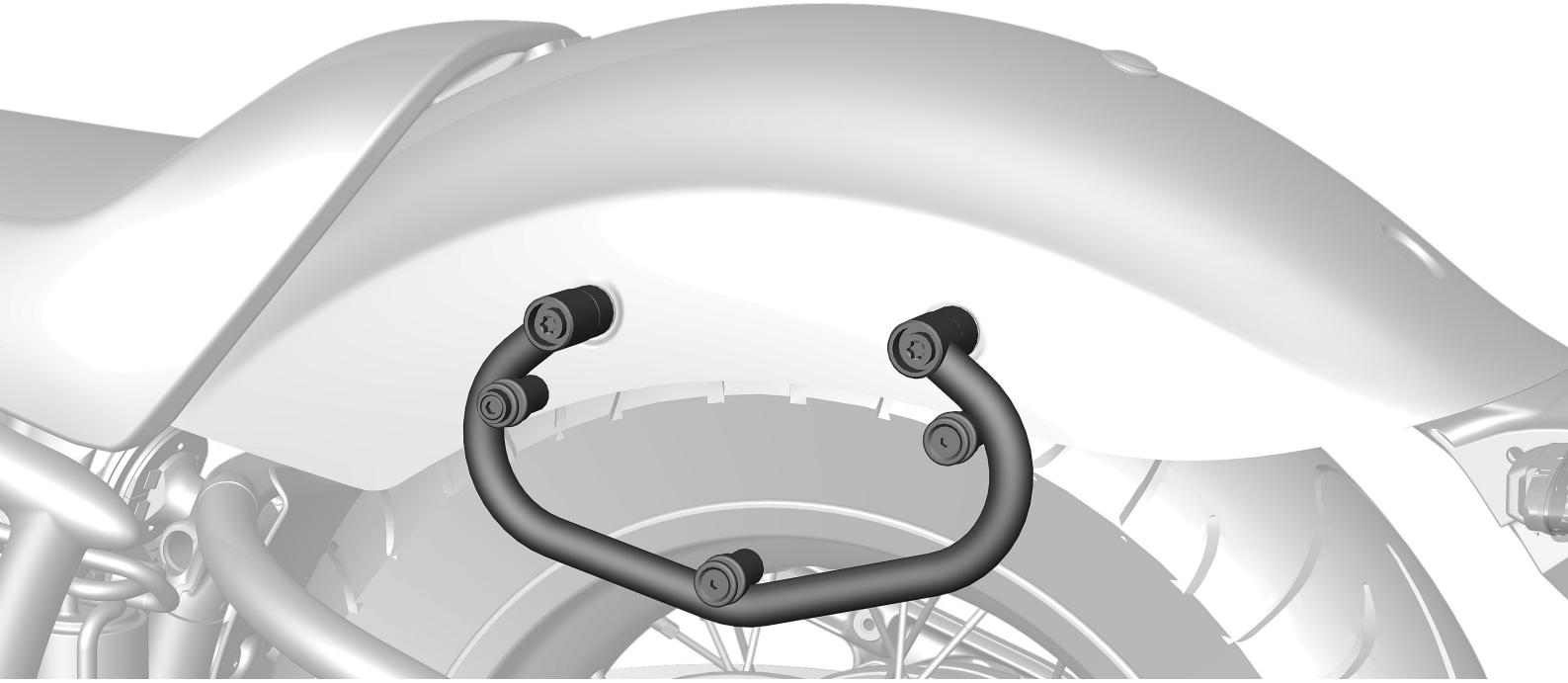




**BMW
MOTORRAD**



Installation instructions

HOLDER FOR SIDE BAGS

MAKE LIFE A RIDE

BEFORE COMMENCING WORK, YOU MUST READ THESE INSTALLATION INSTRUCTIONS THROUGH CAREFULLY AND MAKE SURE YOU UNDERSTAND THEM FULLY.

We congratulate you on your choice of optional accessories from BMW Motorrad that will enable you to customise your motorcycle in accordance with your personal preferences.

Safety is invariably an essential prerequisite for extracting full benefit and enjoyment from new accessories. Some work calls for special tools and possibly a thorough knowledge of motorcycle technology. If you are in doubt consult a specialist workshop, preferably your authorised BMW Motorrad dealer.

Since we provide you with a multitude of accessories and optional equipment, we cannot cover all equipment specifications in these installation instructions. Therefore we restrict ourselves to the basic version of the corresponding model. The removal and installation of other possibly installed accessories is described in the corresponding installation instructions. Consult your authorised BMW Motorrad dealer if you no longer have access to the sets of instructions you need.

If you have questions concerning your motorcycle or any of the accessories from our range, your authorised BMW Motorrad dealer will gladly provide advice and assistance.

We at BMW Motorrad hope you will enjoy riding your BMW and that all your journeys will be pleasant and safe.

THE SYMBOLS USED TO DRAW ATTENTION TO PRECAUTIONARY STATEMENTS IN THIS MANUAL ARE AS FOLLOWS:
 **CAUTION**

Low-risk hazard. Non-avoidance can lead to slight or moderate injury.

 **DANGER**

High-risk hazard. Non-avoidance leads to fatal or severe injury.

 **NOTICE**

Specific instructions on how to operate, control, adjust or look after items of equipment on the motorcycle.

- ▶ Start of the main activity
- ▷ Start of the secondary activity
- Instruction

 **WARNING**

Medium-risk hazard. Non-avoidance can lead to fatal or severe injury.

 **ATTENTION**

Special notes and precautionary measures. Non-compliance can lead to damage to the vehicle or accessory and, consequently, to voiding of the warranty.

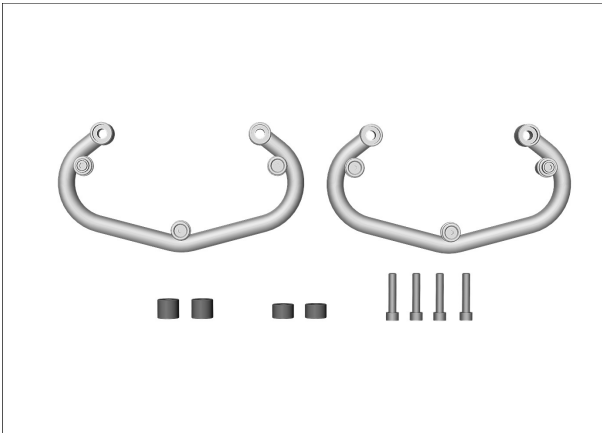
 **Tightening torque**

Screws, bolts and nuts are tightened in accordance with the applicable DIN/ISO standards. Tightening torques that deviate from the standards are stated. Non-compliance can result in damage to the vehicle or accessories or can endanger the driver.

- ◀ End of the main activity
- ◁ End of the secondary activity
- ◇ End of validity designation CS (construction status), OE (optional extra) or OA (optional accessory)

All rights reserved.

Holder for side bags



Scope of installation

- Holder for side bag, left
- Holder for side bag, right
- Spacing bushes 19 mm 2×
- Spacer bushes 14 mm 2×
- Cheese head screws M8x55 4×

General instructions

ATTENTION

Vehicle not securely propped

Risk of damage to parts if vehicle topples

- Prop the vehicle securely.

WARNING

Children and pets in the working area

Injury to persons

- Keep children and pets away from the working area.

CAUTION

Wearing jewellery during work

Risk of injury by snagging or electrical short circuit

- Remove all items of personal jewellery (rings, chains, wristwatch, etc.) before starting work.

NOTICE

Once the retrofit kit has been installed by the workshop, these installation instructions must be handed over to the customer.

Make sure that these installation instructions accompany the retrofit kit when it is passed on to a third party.

ATTENTION

Brake fluid on painted surfaces, plastic and rubber components

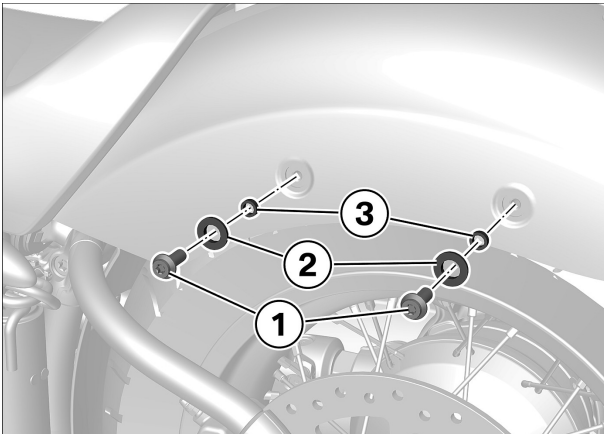
Material damage

- Do not allow brake fluid to come into contact with painted surfaces, plastic or rubber components.
- Wash components immediately with clear water if required.

77 49 105 Installing the side bag holder

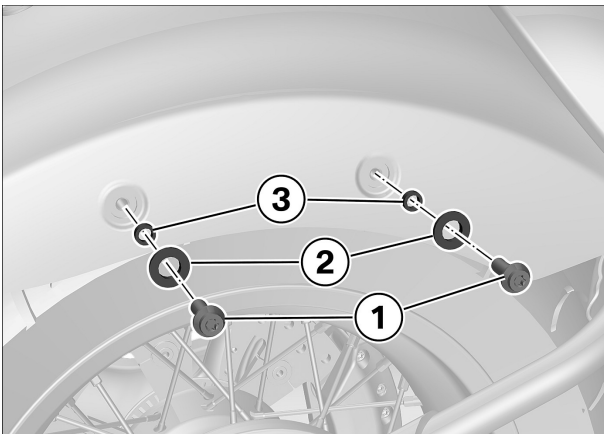
Additional work: 46 52 510 Mounting and dismounting the rear-wheel stand with special tools (for motorbikes without a centre stand)

1



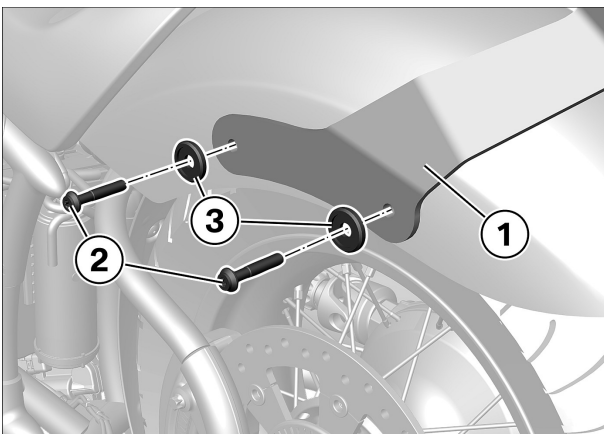
► Removing bolts of rear-wheel cover

- Remove bolts (1), plastic washers (2) and bushings (3).
- Store plastic washers (2) and bushings (3), subsequently needed for reassembly.



- Remove bolts (1), plastic washers (2) and bushings (3).
- Store plastic washers (2) and bushings (3), subsequently needed for reassembly.

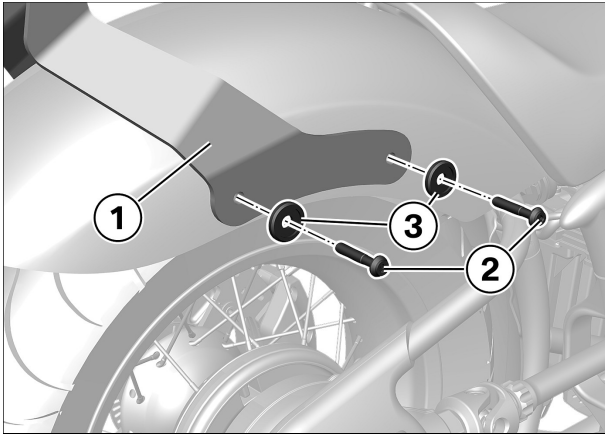
2



– with luggage rack^{OA}

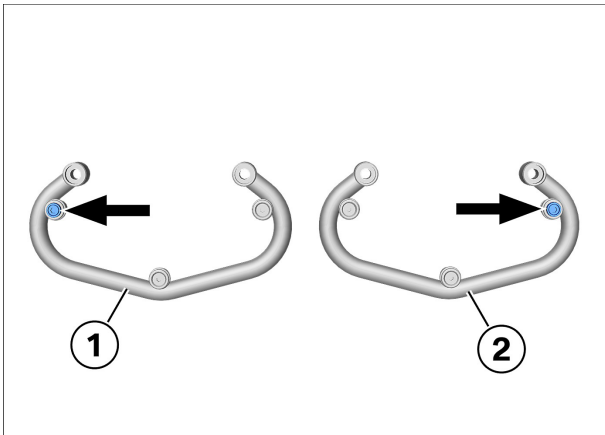
► Removing screws from luggage rack

- Remove screws (2) and washers (3).
- Store washers (3), will be reused.



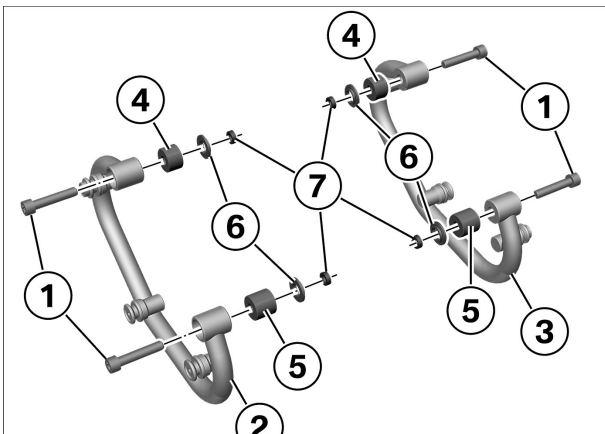
- Remove screws **(2)** and washers **(3)**.
- Remove holder **(1)**.
- Store washers **(3)**, **will be reused**.◇

3



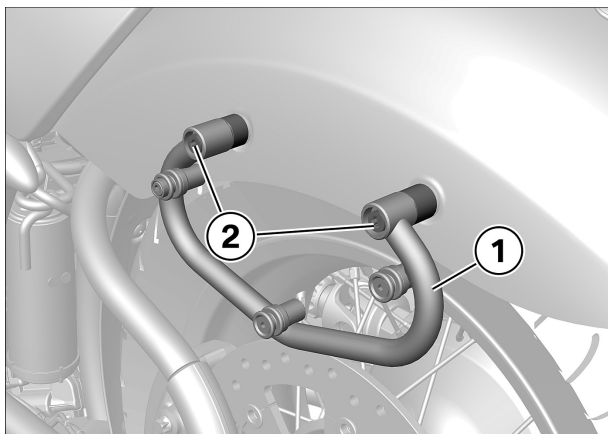
► Preparing holder for side bags

- Ensure correct mounting orientation. Mounting for lock **(arrow)** must be in front direction of travel.
- Holder, left **(1)**
- Holder, right **(2)**



- Insert screws **(1)** in holder on left **(2)** and right **(3)**.
- Attach spacer bushes 14 mm **(4)** on front mounting on screw **(1)**.
- Attach spacer bushes 19 mm **(5)** on rear mounting on screw **(1)**.
- Attach original plastic washers **(6)** and bushes **(7)** on screws **(1)**.

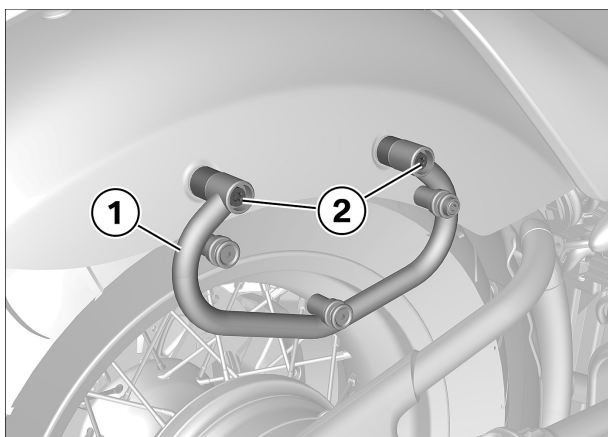
4



► **Installing holders for side bags**

- Position holder for left side bag (1) with screws (2), all bushes and washers.
- Install screws (2) and tighten.

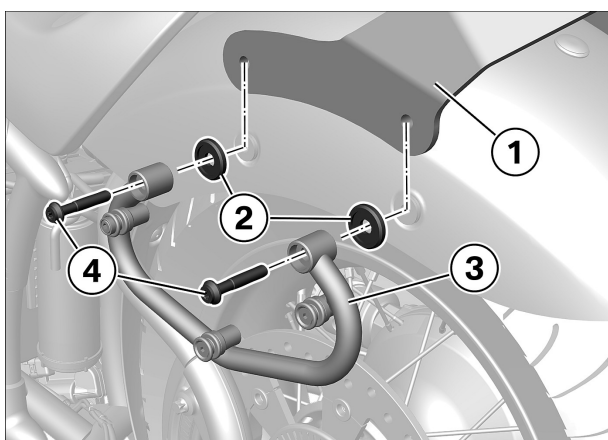
🔧 Tightening torques		
Bracket for side bag to rear frame		
M8 x 55 Thread-locking compound (Loctite 243, Medium strength)	19 Nm	



- Position holder for right side bag (1) with screws (2), all bushes and washers.
- Install screws (2) and tighten.

🔧 Tightening torques		
Bracket for side bag to rear frame		
M8 x 55 Thread-locking compound (Loctite 243, Medium strength)	19 Nm	

5

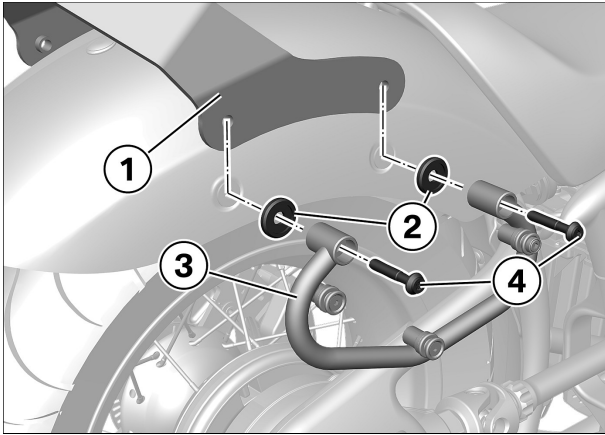


– with luggage rack^{OA}


► **Installing holders for side bags on luggage rack**

- Position holder for left side bag (1) with screws (2), all bushes.
- Install screws (2) and tighten.

🔧 Tightening torques		
Bracket for side bag to rear frame		
M8 x 55 Thread-locking compound (Loctite 243, Medium strength)	19 Nm	



- Position holder for right side bag **(1)** with screws **(2)**, all bushes.
- Install screws **(2)** and tighten.

 Tightening torques		
Bracket for side bag to rear frame		
M8 x 55 Thread-locking compound (Loctite 243, Medium strength)	19 Nm	

6

► Final check of work performed

- Check the following:
 - The work as performed achieved the intended purpose.
 - All reservoirs and containers have been filled and all fluids and lubricants are at their correct levels.
 - All threaded fasteners released beforehand have been correctly retightened.
 - The fuel system is free of leaks.
 - The lights and signalling equipment are fully operational and the vehicle is roadworthy.
 - The brake pads of the front and rear brakes are bedded against the brake discs.

▷ Function test, engine start suppression

Check

- Select neutral.
 - » Neutral indicator light "N" lights up.
- Select a gear.
 - » Neutral indicator light "N" goes out.
- Operate the starter switch.
 - » Starter does **not** operate.
- Extend the side stand.
 - » Starter does **not** operate.
- Pull the clutch lever.
 - » Starter does **not** operate.
- Operate the starter switch.
 - » Starter does **not** operate.
- Retract the side stand.
 - » Starter operates.
- Operate the starter switch without releasing the clutch lever.
 - » Starter operates.

Result

Not all test steps completed successfully.

Measure

- Check corresponding components with BMW Motorrad diagnosis system.

