



**BMW  
MOTORRAD**



Installation instructions

# **IMPACT PROTECTION FOR TOUR- ING CASES**

**K 1600 GT**

**MAKE LIFE A RIDE**

---

---

**BEFORE COMMENCING WORK, YOU MUST READ THESE INSTALLATION INSTRUCTIONS THROUGH CAREFULLY AND MAKE SURE YOU UNDERSTAND THEM FULLY.**

We congratulate you on your choice of optional accessories from BMW Motorrad that will enable you to customise your motorcycle in accordance with your personal preferences.

Safety is invariably an essential prerequisite for extracting full benefit and enjoyment from new accessories. Some work calls for special tools and possibly a thorough knowledge of motorcycle technology. If you are in doubt consult a specialist workshop, preferably your authorised BMW Motorrad dealer.

Since we provide you with a multitude of accessories and optional equipment, we cannot cover all equipment specifications in these installation instructions. Therefore we restrict ourselves to the basic version of the corresponding model. The removal and installation of other possibly installed accessories is described in the corresponding installation instructions. Consult your authorised BMW Motorrad dealer if you no longer have access to the sets of instructions you need.

If you have questions concerning your motorcycle or any of the accessories from our range, your authorised BMW Motorrad dealer will gladly provide advice and assistance.

We at BMW Motorrad hope you will enjoy riding your BMW and that all your journeys will be pleasant and safe.

---

**THE SYMBOLS USED TO DRAW ATTENTION TO PRECAUTIONARY STATEMENTS IN THIS MANUAL ARE AS FOLLOWS:**
 **CAUTION**

Low-risk hazard. Non-avoidance can lead to slight or moderate injury.

 **DANGER**

High-risk hazard. Non-avoidance leads to fatal or severe injury.

 **NOTICE**

Specific instructions on how to operate, control, adjust or look after items of equipment on the motorcycle.

- ▶ Start of the main activity
- ▷ Start of the secondary activity
- Instruction

 **WARNING**

Medium-risk hazard. Non-avoidance can lead to fatal or severe injury.

 **ATTENTION**

Special notes and precautionary measures. Non-compliance can lead to damage to the vehicle or accessory and, consequently, to voiding of the warranty.

 **Tightening torque**

Screws, bolts and nuts are tightened in accordance with the applicable DIN/ISO standards. Tightening torques that deviate from the standards are stated. Non-compliance can result in damage to the vehicle or accessories or can endanger the driver.

- ◀ End of the main activity
- ◁ End of the secondary activity
- ◇ End of validity designation CS (construction status), OE (optional extra) or OA (optional accessory)

All rights reserved.

## Impact protection for touring cases



### Delivery specification

- Set for impact protection for touring case, left
- Set for impact protection for touring case, right

### General instructions

#### ATTENTION

##### Vehicle not securely propped

Risk of damage to parts if vehicle topples

- Prop the vehicle securely.

#### WARNING

##### Children and pets in the working area

Injury to persons

- Keep children and pets away from the working area.

#### CAUTION

##### Wearing jewellery during work

Risk of injury by snagging or electrical short circuit

- Remove all items of personal jewellery (rings, chains, wristwatch, etc.) before starting work.

#### NOTICE

Once the retrofit kit has been installed by the workshop, these installation instructions must be handed over to the customer.

Make sure that these installation instructions accompany the retrofit kit when it is passed on to a third party.

**77 42 001 Installing impact protection for case lid, left and right**

**1**

► **Removing case**

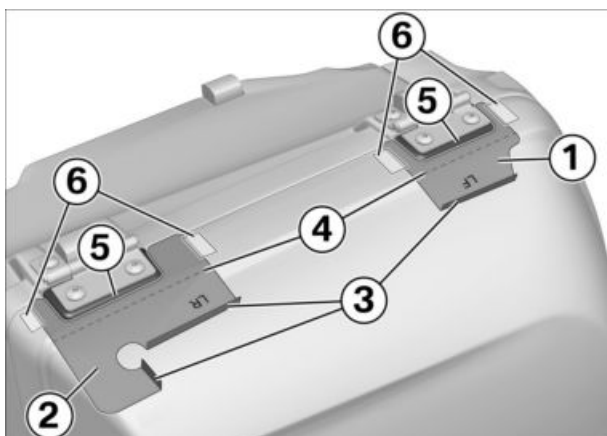
- Remove the case, see Rider's Manual.

**2**

► **Installing impact protector for case, bottom left**

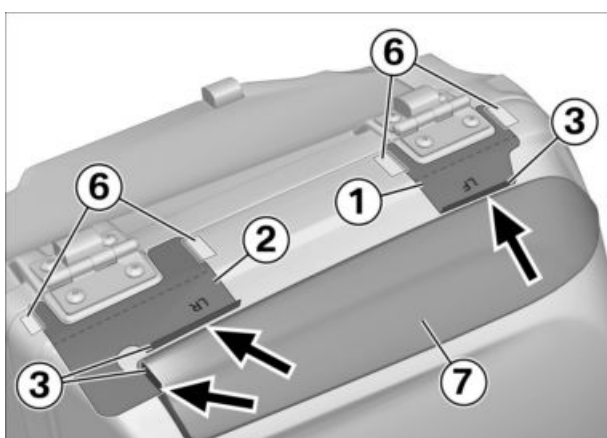
**NOTICE**

Faces that will be in contact with the adhesive must be dry, clean and free from dust and grease.



▷ **Affixing templates on left**

- Fold in the carry handle and rest the case, top face down, on a clean, surface.
- The wording LF (left front) **(1)** and LR (left rear) **(2)** on the templates must be visible.
- Fold up contact face **(3)** at the marks.
- Fold the templates very slightly down at marks **(4)**.
- Position templates LF **(1)** and LR **(2)** at hinge holders **(5)** on the bottom of the case and affix them to the case as shown with a strip of adhesive tape **(6)**.



- Peel the backing paper off impact protector **(7)**.
- Align the edge **(arrows)** of the impact protector with contact surfaces **(3)** of templates **(1)** and **(2)** and press lightly into position.
- When you are sure that the impact protector is correctly located, press it firmly into position.
- Remove templates **(1)** and **(2)** and carefully peel off adhesive tapes **(6)**.



**Technical data**

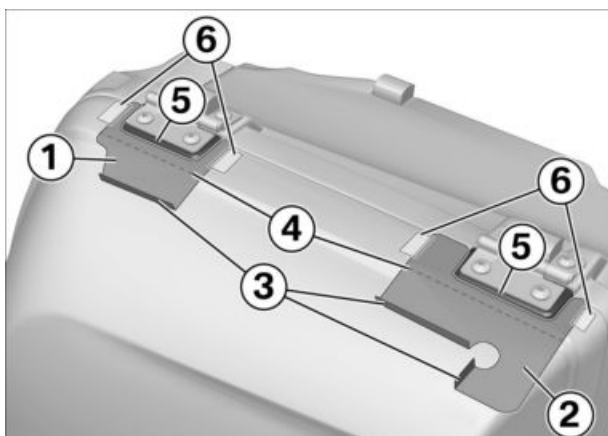
Full adhesive strength		72 h	
------------------------	--	------	--

3

► **Installing impact protector for case, bottom right**

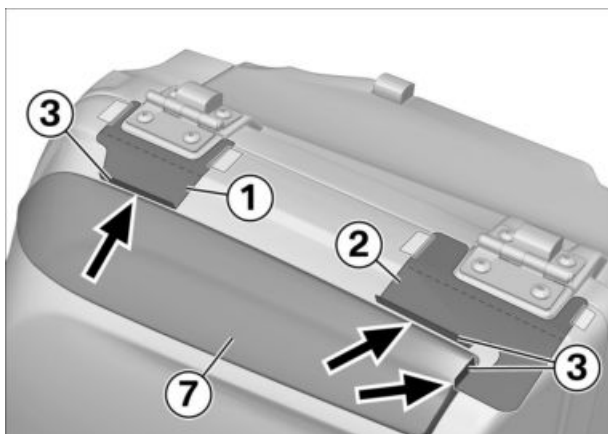
**NOTICE**

Faces that will be in contact with the adhesive must be dry, clean and free from dust and grease.




▷ **Affixing templates on right**

- Fold in the carry handle and rest the case, top face down, on a clean, surface.
- Wording LF (1) and LR (2) must be turned toward the bottom of the case and not visible.
- Fold up contact face (3) at the marks.
- Fold the templates very slightly down at marks (4).
- Position templates LF (1) and LR (2) at hinge holders (5) on the bottom of the case and affix them to the case as shown with a strip of adhesive tape (6).



- Peel the backing paper off impact protector (7).
- Align the edge (arrows) of the impact protector with contact surfaces (3) of templates (1) and (2) and press lightly into position.
- When you are sure that the impact protector is correctly located, press it firmly into position.
- Remove templates (1) and (2).

 <b>Technical data</b>			
Full adhesive strength		72 h	

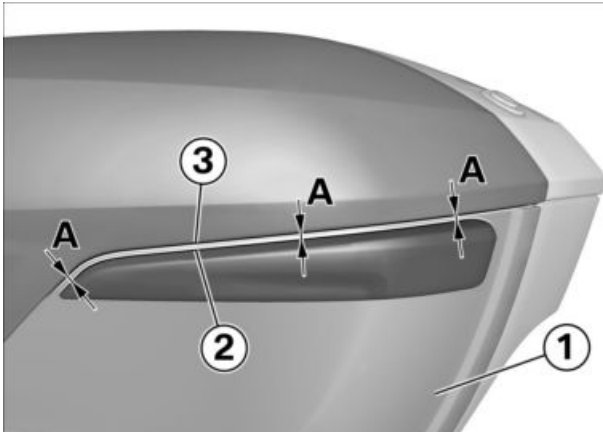


4

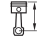
► **Installing impact protector for case, top right**

**NOTICE**

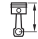
Faces that will be in contact with the adhesive must be dry, clean and free from dust and grease.



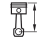
- Lay case **(1)** rear face down on a soft, clean surface.
- Position the impact protector on the case, align top edge of impact protector **(2)** with edge **(3)** at distance **(A)** and mark this position with a soft lead pencil.

 <b>Technical data</b>			
Clearance A		6 mm	

- Peel off the backing paper.
- Align top edge of impact protector **(2)** with the mark at distance **(A)** from edge **(3)** and press it lightly into position.

 <b>Technical data</b>			
Clearance A		6 mm	

- Firmly press the impact protector into position.

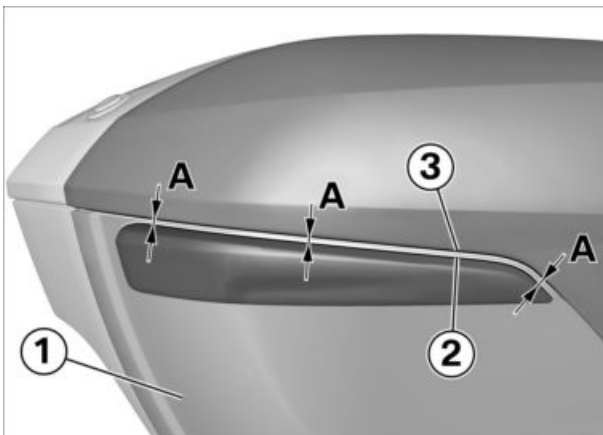
 <b>Technical data</b>			
Full adhesive strength		72 h	

5


► **Installing impact protector for case, top left**

 **NOTICE**


Faces that will be in contact with the adhesive must be dry, clean and free from dust and grease.




- Lay case **(1)** rear face down on a soft, clean surface.
- Position the impact protector on the case, align top edge of impact protector **(2)** with edge **(3)** at distance **(A)** and mark this position with a soft lead pencil.

 <b>Technical data</b>			
Clearance A		6 mm	

- Peel off the backing paper.
- Align top edge of impact protector **(2)** with the mark at distance **(A)** from edge **(3)** and press it lightly into position.

 <b>Technical data</b>			
Clearance A		6 mm	

- Firmly press the impact protector into position.

 <b>Technical data</b>			
Full adhesive strength		72 h	

**6**

---

▶ **Installing case**

- Install the case, see Rider's Manual.

